

Concealed self closing flush valve

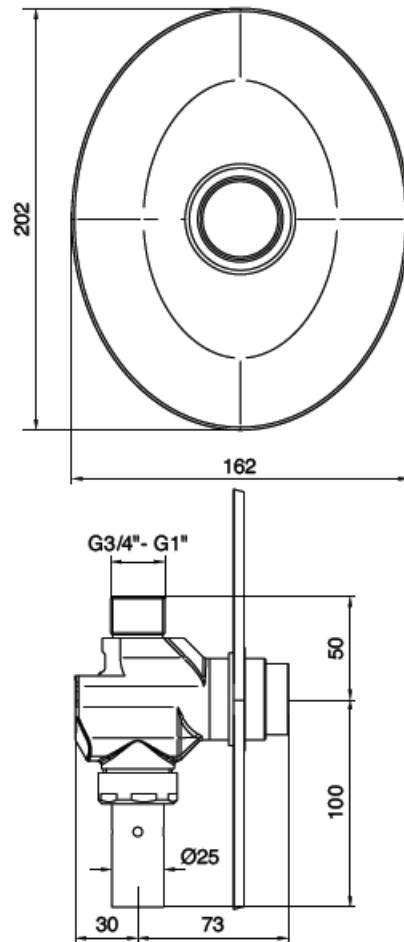
- Concealed self closing flush valve.
- Heavy duty, suitable for public areas and high frequency places.
- Robust body in chrome plated brass.



TECHNICAL DATA

- Push button and frame in chromed brass.
- Inlet 1" G.
- Temporized manual push button.
- Water discharge time: 8 seconds at 3 bar.

TECHNICAL DRAWING



DIMENSIONS IN mm

SUGGESTED TEXT FOR PRESCRIPTION

NOFER concealed self closing flush valve or similar, chromed brass. Inlet 1" G.



NOFER S.L.  
 Avenida de la fama, 118  
 08940 · Cornellà de Llobregat (Barcelona)  
 Tel +34 934 742 423 · Fax +34 934 743 548  
 export@nofer.com · www.nofer.com

Related Products



07078



07079



07080



07081



07076.34