

Self closing tap for urinal

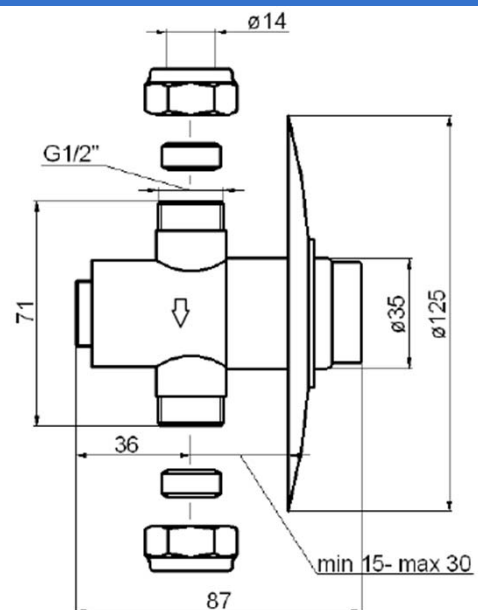

- Self closing tap for urinal.
- Recessed installation.
- Sturdy, suitable for collectivities and toilets with high use.

TECHNICAL DATA

- Made of chromed brass.
- Timer: 8 ± 2 seconds at 3 bar.
- Work pressure: minimum 1 bar, maximum 6 bar.
- Recommended pressure: 2 – 4 bar.
- Water temperature: 5 – 65 °C.
- Flow: 0,62 m³/h.
- Dimensions: Ø 125 mm, 87 mm depth (concealed + visible).

SUGGESTED TEXT FOR PRESCRIPTION

NOFER or similar, self closing tap for urinal. Recessed installation. Made of chromed brass. Dimensions: Ø 125 mm, 87 mm depth (concealed + visible).

TECHNICAL DRAWING


NOFER S.L.
 Avenida de la fama, 118
 08940 · Cornellà de Llobregat (Barcelona)
 Tel +34 934 742 423 · Fax +34 934 743 548
 export@nofer.com · www.nofer.com

Related Products

07078

07079

07076.1

07076.34

07085

07082