

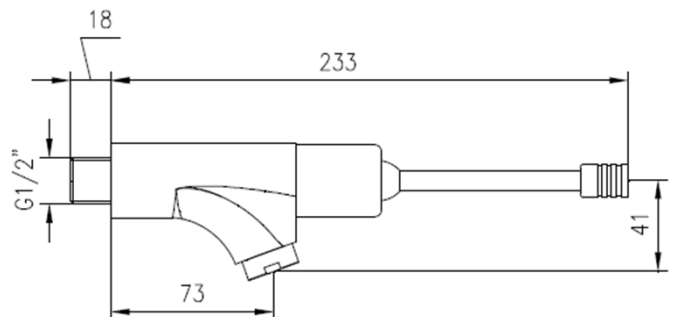
Self closing lever tap

- Self closing tap operated by lever.
- Designed for wall mounted installation.
- Fixed spout.
- Durability and resistance against rust and corrosion.
- Designed for public areas and adapted for disabled people.
- Easy to clean.



- Made of chromed brass.
- Dimensions: 41 height x 233 depth (mm).
- Connection: G1/2 " outer thread.
- Timer: 15 ± 5 seconds at 3 bar.
- Operating pressure: min. 1 bar, max. 6 bar.
- Recommended pressure: 2-4 bar.
- Recommended operating temperature: 5 - 65 °C.
- Flow: 0,55 m³/h (1 bar).

NOFER or similar, wall mounted self closing tap with lever. Made of chromed brass. Fixed spout. Dimensions: 41 height x 233 depth (mm).



COTAS EN mm



NOFER S.L.
 Avenida de la fama, 118
 08940 · Cornellà de Llobregat (Barcelona)
 Tel +34 934 742 423 · Fax +34 934 743 548
 export@nofer.com · www.nofer.com



07000



07001



07002



07003



07003M



07002M