

Toilet tissue dispenser

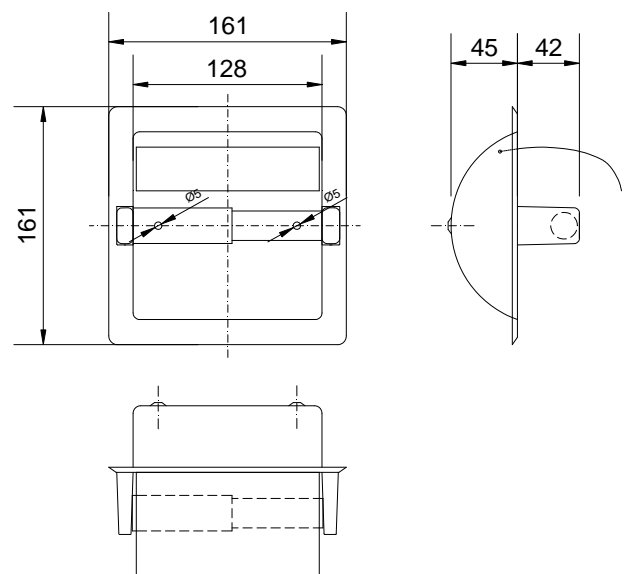
- Flush mounting stainless steel toilet tissue dispenser.
- Protection cover.
- Frontal refilling.
- Durability and water and rust resistance.
- Satin finished.
- Simple mounting.


TECHNICAL DATA

- Made in AISI 304 stainless steel.
- Suitable for conventional one individual toilet tissue pack. Maximum Ø 140 mm.
- Axle can be removed for refilling.
- Dimensions: 161 mm high x 161 mm width x 45,5 mm depth.
- Includes mounting components.
- Required rough wall opening: 140 x 140 x 45 mm.
- Maintenance: stainless steel needs maintenance because dust can eventually damage the chrome in stainless steel. We recommend monthly cleaning with our special product.

SUGGESTED TEXT FOR PRESCRIPTION

NOFER or similar flush mounting toilet tissue dispenser, made in AISI 304 stainless steel. Protection cover. Dimensions: 161 mm high x 161 mm width x 45,5 mm depth.

TECHNICAL DRAWING


NOFER S.L.
 Avenida de la fama, 118
 08940 · Cornellà de Llobregat (Barcelona)
 Tel +34 934 742 423 · Fax +34 934 743 548
 nofer@nofer.com · www.nofer.com

Related Products

05015.S

05101.S

05105.S

05107.S

05109.S

05200.S