

Toilet paper dispenser

- Toilet roll paper dispenser to fix to wall.
- Frontal opening and refilling.
- Durability and resistance.
- Made of polish finished stainless steel. Also available in satin finished stainless steel (NOFER 05001.XL.S) and white epoxy finished steel (NOFER 05001.XL.W).
- With frontal content viewer.
- Security lock with key included.



TECHNICAL DATA AND COMPONENTS

- Made of stainless steel. Plate thickness: 0,8 mm.
- Axle diameter: 40 mm.
- Dimensions: 295 height x 285 width x 112 depth (mm).
- Consumable: 500 m paper rolls (aprox.). Maximum roll diameter 280 mm.
- Maintenance: stainless steel requires maintenance, after some time dust may damage the stainless steel chrome. We recommend a regular clearing with an specific stainless steel cleaner.

SUGGESTED TEXT FOR PRESCRIPTION

NOFER or similar, polish finished stainless steel toilet paper roll dispenser, to fix to wall. Designed for industrial rolls, with capacity viewer in front and security key. Dimensions: 295 heigh tx 285 width x 112 depth (mm).



NOFER S.L.
 Avenida de la fama, 118
 08940 · Cornellà de Llobregat (Barcelona)
 Tel +34 934 742 423 · Fax +34 934 743 548
 export@nofer.com · www.nofer.com

Productos Relacionados



05015.S



05101.B



05105.B



05107.B

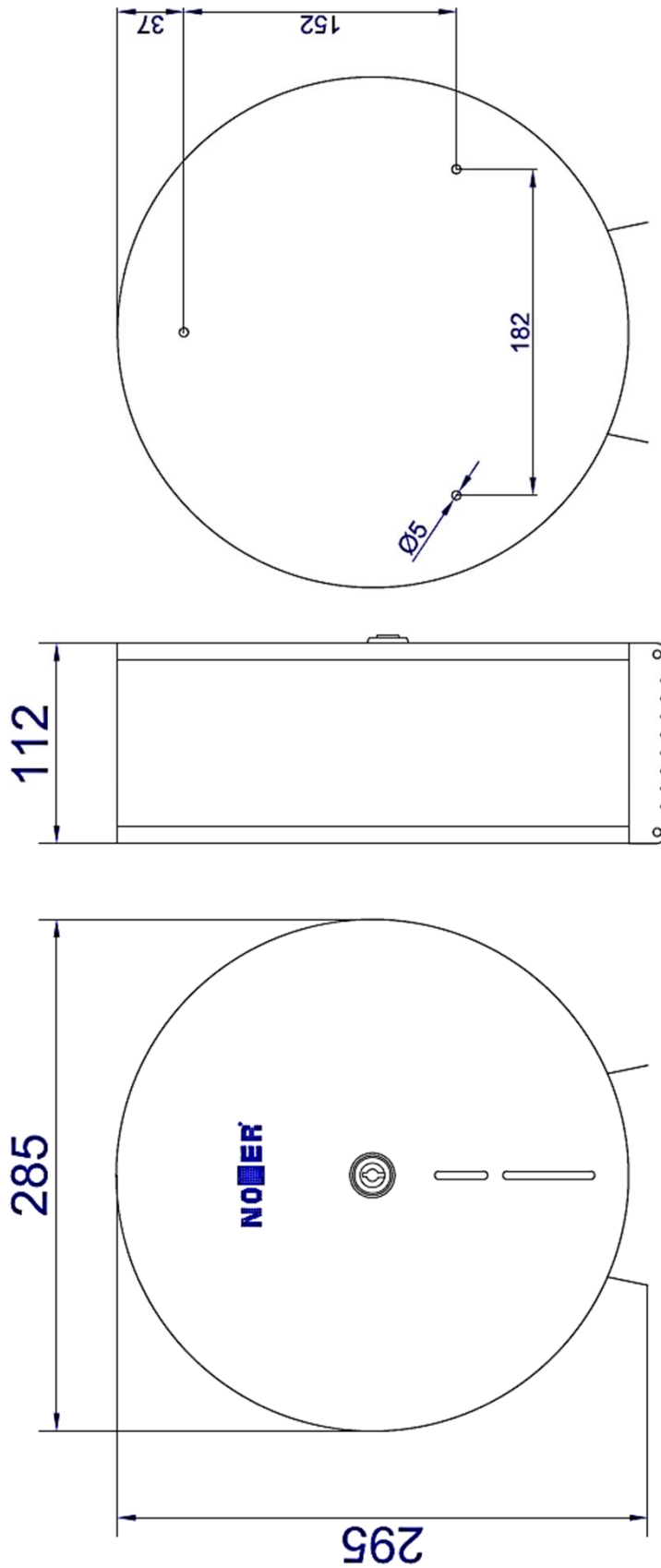


05005.W



05001.S

DIMENSIONAL DRAWING



DIMENSIONS IN mm.



NOFER S.L.
 Avenida de la fama, 118
 08940 - Cornellà de Llobregat (Barcelona)
 Tel +34 934 742 423 - Fax +34 934 743 548
 export@nofer.com - www.nofer.com