

Paper towel roll dispenser



- Paper towel roll dispenser for surface mounting.
- Sturdy and vandal proof.
- Front swing-up door. Safety closure with pin tumbler lock with key included.
- Polish finished stainless steel. Also available in satin finish (NOFER 04099.MINI.S).

TECHNICAL DATA

- Made of AISI 304 stainless steel, (0,8 mm thickness).
- Consumable: towel paper roll NOFER 06005.
- Capacity: 1 roll (maximum dimensions: Ø 135, high 200 mm).
- Dimensions: 300 height x 175 width x 160 depth (mm).
- Maintenance: stainless steel requires maintenance, after some time dust may damage the stainless steel chrome. We recommend a regular cleaning with an specific stainless steel cleaner.
- Installation through three wall fixation points. Fixing material included.

SUGGESTED TEXT FOR PRESCRIPTION

NOFER paper towel roll dispenser or similar, for surface mounting. Made of polish finished AISI 304 stainless steel, with front opening and pin tumbler lock with key. Dimensions: 300 height x 175 width x 160 depth (mm).

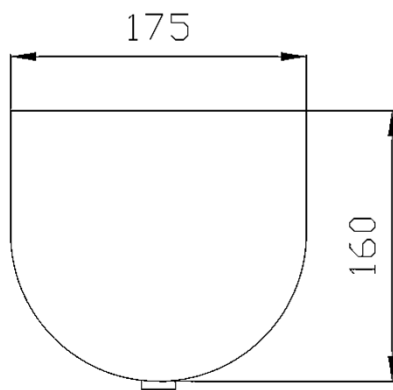
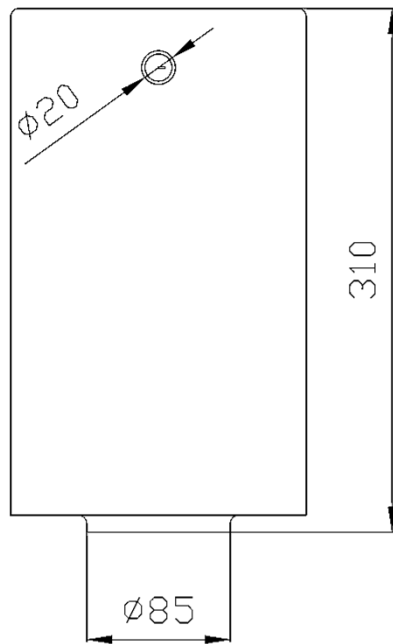


NOFER S.L.
 Avenida de la fama, 118
 08940 · Cornellà de Llobregat (Barcelona)
 Tel +34 934 742 423 · Fax +34 934 743 548
 export@nofer.com · www.nofer.com

Related Products



TECHNICAL DRAWING



DIMENSIONS in mm



NOFER S.L.
 Avenida de la fama, 118
 08940 - Cornellà de Llobregat (Barcelona)
 Tel +34 934 742 423 - Fax +34 934 743 548
 export@nofer.com - www.nofer.com