

Deposit for soap dispenser

- Tank for liquid soap dispensers with multiple feed system.
- Includes wall support.
- It drastically reduces soap consumption.
- Fast and simple recharge and with anti-theft protection.
- Resistant and anti-vandal.



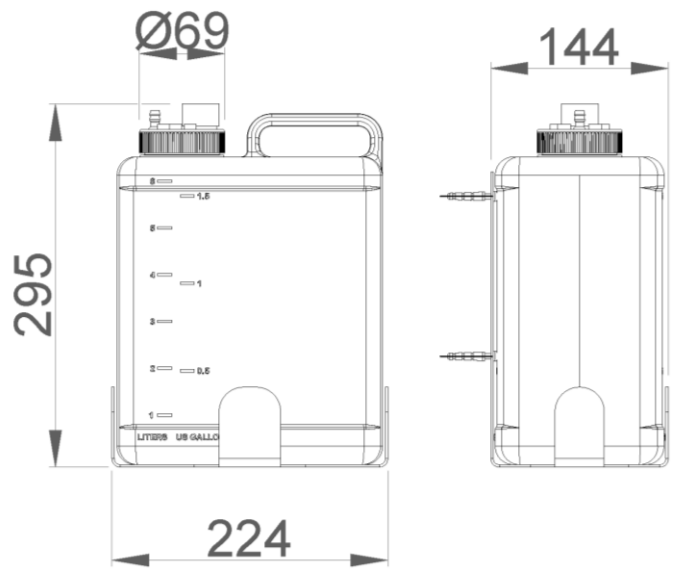
TECHNICAL DATA

- Body made of plastic.
- Capacity: 6 liters. Refillable.
- Allows the installation of 6 maximum soap dispensers with a single tank.
- Includes wall support.
- Dimensions: 295 height x 144 width x 224 depth (mm).

SUGGESTED TEXT FOR PRESCRIPTION

Tank for NOFER liquid soap dispenser with multiple feed system.
Dimensions: 295 height x 144 width x 224 depth (mm).

TECHNICAL DRAWING



DIMENSIONS IN mm



NOFER S.L.
Avenida de la fama, 118
08940 · Cornellà de Llobregat (Barcelona)
Tel +34 934 742 423 · Fax +34 934 743 548
export@nofer.com · www.nofer.com

Related Products



01911.B



03203.B



03101.B



07250.B



03202.S



03201.S