

Soap dispenser

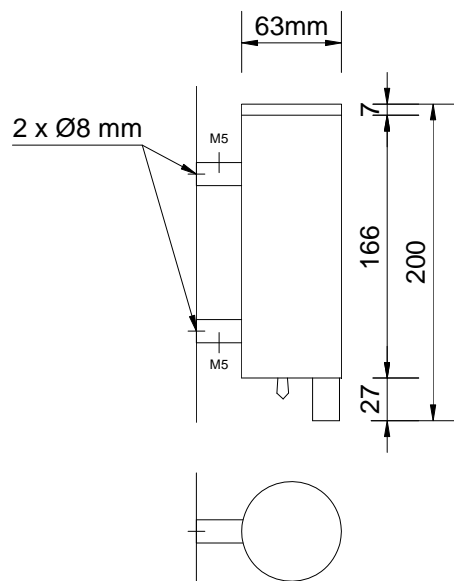
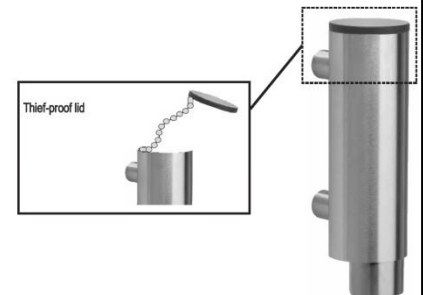
- Soap dispenser with manual push button.
- Designed for wall mounting, leaving the anchor hidden.
- Safety cap against theft.
- Durability and ease of cleaning.



TECHNICAL DATA

- Made of stainless steel AISI 304, satin finishing.
- Dimensions: 200 mm high and Ø 63 mm.
- Capacity: 300 ml.
- Hidden wall fixings. Distance between fasteners to wall: 110 mm.
- Maintenance: Stainless steel needs maintenance because dust can eventually damage the chrome in stainless steel. We recommend monthly cleaning with our special product.

TECHNICAL DRAWING



SUGGESTED TEXT FOR PRESCRIPTION

Soap dispenser, NOFER or similar, made in AISI 304 stainless steel, manually operated, for wall mounting with hidden fixings. Dimensions: 200 mm x 63 Ø mm high.



NOFER S.L.
 Avenida de la fama, 118
 08940 · Cornellà de Llobregat (Barcelona)
 Tel +34 934 742 423 · Fax +34 934 743 548
 export@nofer.com · www.nofer.com

Related Products



03033



03008



03025



03020



03201



03001.S