

Soap dispenser for hospitalary use



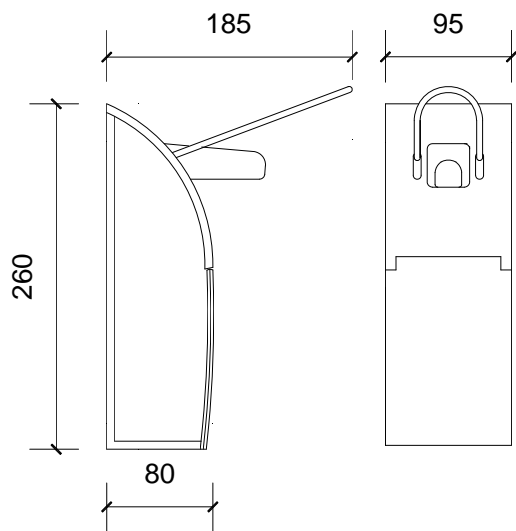
- Manual soap dispenser.
- Wall mounted.
- Soap container refillable and sterilizable .
- Suitable for universal soap and desinfectants.

- Main body made of ABS and satin finished stainless steel. Soap container made in translucent poliethilene.
- Manual lever made of stainless steel.
- Dimensions: 260 high x 95 width x 185 depth (mm).
- Capacity: 500 ml.
- Maintenance: stainless steel needs maintenance because dust can eventually damage the Chrome (Cr) contained in stainless steel. We recommend monthly cleaning with an specific product for stainless steel.

SUGGESTED TEXT FOR PRESCRIPTION

NOFER or similar, manual soap dispenser with stainless steel lever. Made of translucent ABS and satin finished stainless steel. Dimensions: 260 high x 95 width x 185 depth (mm).

TECHNICAL DRAWING



NOFER S.L.
 Avenida de la fama, 118
 08940 · Cornellà de Llobregat (Barcelona)
 Tel +34 934 742 423 · Fax +34 934 743 548
 export@nofer.com · www.nofer.com



03033



03025



03003.B



03016.L