

Medical soap dispenser

- Soap dispensed operated by stainless steel lever.
- Wall mounted.
- Independent, refillable and sterilizable deposit unit.
- Suitable for universal liquid soap and desinfectant substances.



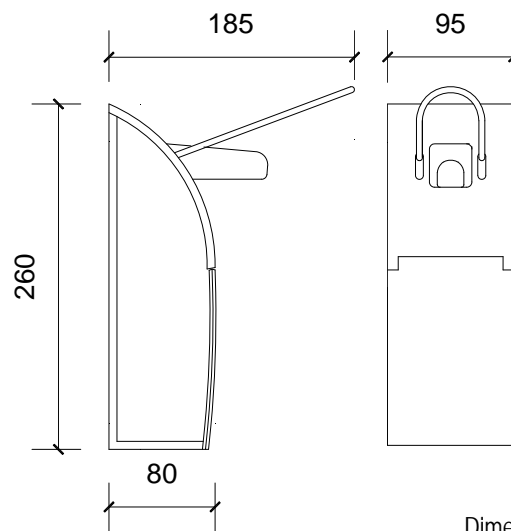
TECHNICAL DATA

- Made in aluminum. Deposit unit made in translucent polyethylene.
- Stainless steel operation lever.
- Dimensions: 260 high x 95 wide x 185 deep mm.
- Capacity: 500 ml.

SUGGESTED TEXT FOR PRESCRIPTION

NOFER or similar, manual operated by stainless steel lever soap dispenser. Wall mounted. Dimensions: 260 high x 95 wide x 185 deep mm.

TECHNICAL DRAWING



Dimensions in mm



NOFER S.L.  
 Avenida de la fama, 118  
 08940 · Cornellà de Llobregat (Barcelona)  
 Tel +34 934 742 423 · Fax +34 934 743 548  
 export@nofer.com · www.nofer.com

Related Products



03033



03025



03020



03016



03013.AL



03016.L