

Hair dryer with Stainless Steel Cover "ZONDA"

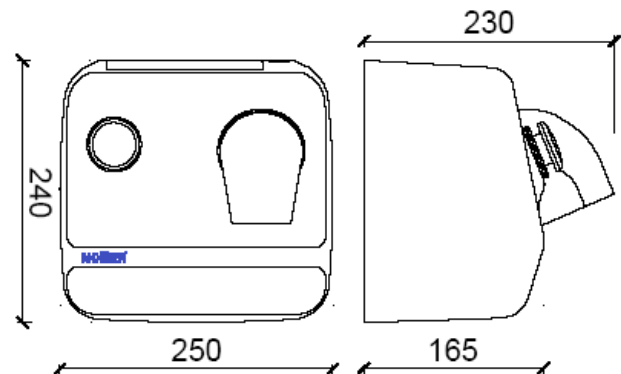

- High range hair dryer activated by push button.
- Surface mounted.
- AISI 304 Stainless Steel polished finish. Also available in satin (NOFER 02200.S) and white (NOFER. 02200.W).
- Designed for high traffic bathroom and continuous use.
- High quality components.
- Strong, vandal proof and build without edges.
- CE certificates.
- MADE IN SPAIN.

TECHNICAL DATA

- AISI 304 Stainless Steel cover .
- 360° rotating nozzle.
- 230 V / 50 – 60 Hz. Also available 110 V / 50-60 Hz.
- Motor: 6500 r.p.m. & 250 W power.
- Heating element power: 2450 W.
- Consumption: 10,6 A.
- Isolation: Class I.
- Motor protection: fuse. Resistance protection: internal thermostat.
- Water volume flow: 6500 l/min .
- Air Speed: 133 Km/h. Air temperature: 49 °C at 10 cm.
- Dimensions: 240 high x 250 wide x 230 deep mm.
- Sound level: 70 dBA.

SUGGESTED TEXT FOR PRESCRIPTION

"ZONDA" NOFER hair dryer or similar, warm air activated by push button, made in stainless steel AISI 304, polished finish. 2450 W power. Dimensions: 240 high x 250 wide x 230 deep mm.

TECHNICAL DRAWING


Dimensions in mm



NOFER S.L.
 Avenida de la fama, 118
 08940 · Cornellà de Llobregat (Barcelona)
 Tel +34 934 742 423 · Fax +34 934 743 548
 export@nofer.com · www.nofer.com

Related

Products



02055.C



02056



02059



02063



02200.S



02200.W