

**Hair dryer**

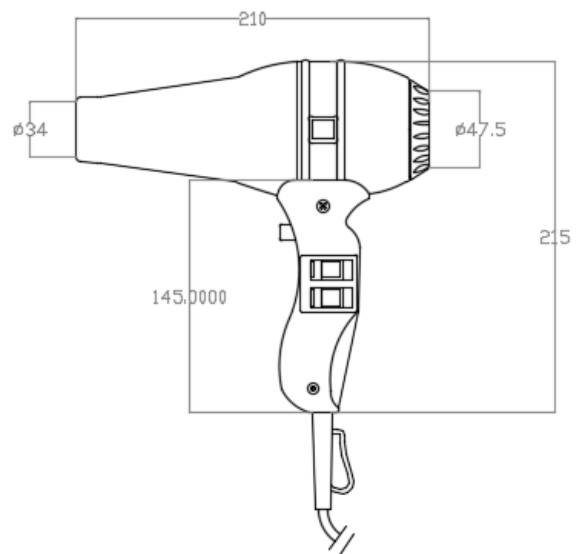
- Hair dryer with two speeds and two temperatures.
- ON/OFF switch button.
- Two speeds and continuous pressure safety push button.
- Suitable for hotels.


**TECHNICAL DATA**

- Body made of black ABS and chromed steel.
- Dimensions: 215 height x 210 width x 93 depth (mm).
- Weight: 0,9 Kg.
- Voltage: 220-240 V ~
- Frequency: 50/60 Hz.
- Power: 1800 W (max.) – 900 W (mím.)
- Power consumption: 7.8 A
- Electric isolation: Clase II.
- Electrical protection : IP20.
- Airspeed: 72 Km/h.
- Effective flow: 1450 l/min.
- Noise level at 2m: 65 dbA (at 2 m).
- Air temperature (20°C ambient): 63°C to 10 cm

**SUGGESTED TEXT FOR PRESCRIPTION**

NOFER, hair dryer with hot airflow. Equiped with two selectors to adjust airflow and air temperature. Total power: 1800 W. Dimensions: 215 height x 210 width x 93 depth (mm).

**TECHNICAL DRAWING**


DIMENSIONS IN mm



NOFER S.L.  
 Avenida de la fama, 118  
 08940 · Cornellà de Llobregat (Barcelona)  
 Tel +34 934 742 423 · Fax +34 934 743 548  
 export@nofer.com · www.nofer.com