

**Wall based hair dryer**


- Surface mounted hair dryer.
- Two air speeds.
- Security switch ON/OFF.
- Wall based hair dryer with wall mounted support.
- Suitable for public places and hotels.
- Security push button for activation.

**TECHNICAL DATA**

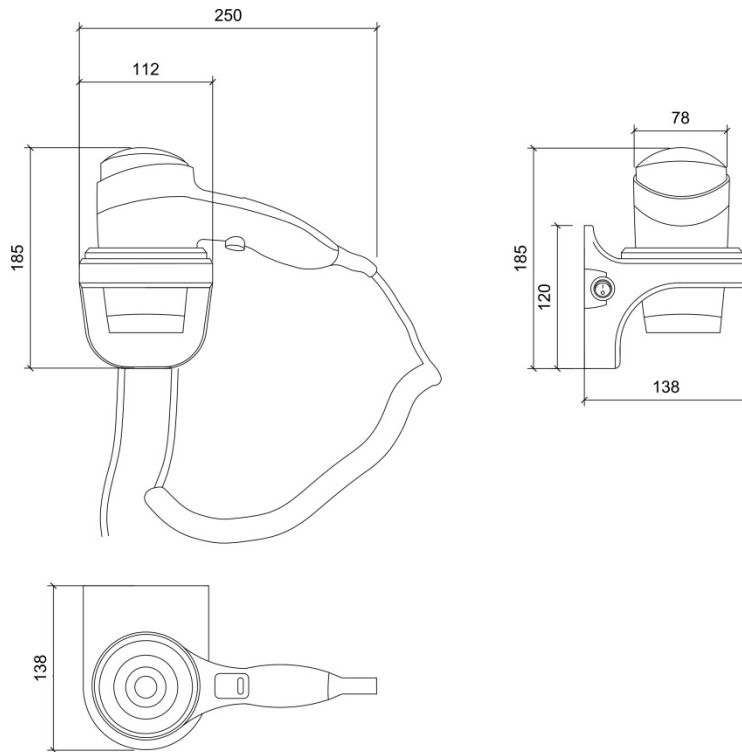
- Hair dryer and support made of white ABS with difuser and air inlet of chromed ABS
- Dimensions: 185 height x 250 width x 138 depth (mm).
- Max. cable length 750 mm.
- Weight: 0,85 Kg.
- Voltage: 220-240 V ~
- Frecuency: 50/60 Hz.
- Power: 2200 max. W. 1800 min. W
- Power consumption: 9,6 A.
- Electric isolation: Class II.
- Electrical protection: IP20.
- Airspeed: 58 Km/h.
- Effective flow: 1300 l / min.
- Noise level at 2m: 62 dBA.
- Air temperature (20°C ambient): 65°C to 10 cm
- Fixing materials included.

**SUGGESTED TEXT FOR PRESCRIPTION**

NOFER hair dryer, wall based installation and with hot airflow. Equiped with selector to adjust airflow. Security switch ON/OFF and security push button for activation. Total power 2200W. Dimensions: 185 height x 250 width x 138 depth (mm).



NOFER S.L.  
 Avenida de la fama, 118  
 08940 · Cornellà de Llobregat (Barcelona)  
 Tel +34 934 742 423 · Fax +34 934 743 548  
 export@nofer.com · www.nofer.com

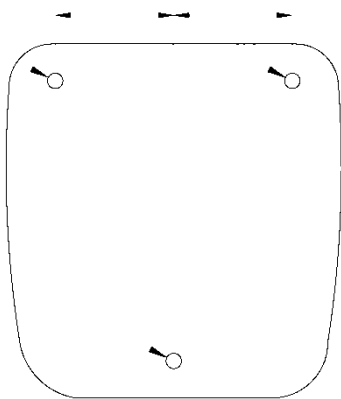
**TECHNICAL DRAWING**


Dimensiones en mm

**INSTALACIÓN**

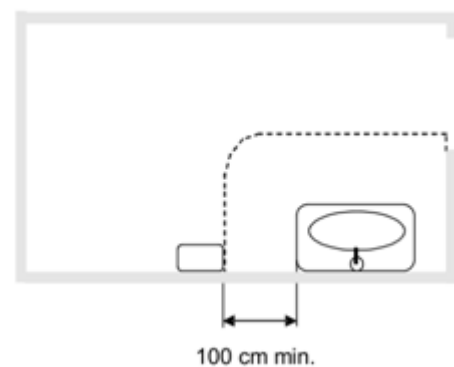
To the hair dryer set up, place the support where you want to install the hair dryer. Using it as a template, mark the position of the drills at the wall, then make the holes with a 6 mm drill. Introduce the wall plugs into the holes, place the ring and thread the screws. After, connect the plug-in. Once it is done, the hair dryer is ready to use.

The setting up should be as the fig-0 shows. Recommended height is 130 – 150 cm to the ground, or 110 in case of adapted bathrooms.



DIMENSIONS IN mm

Fig-0



NOFER S.L.  
 Avenida de la fama, 118  
 08940 - Cornellà de Llobregat (Barcelona)  
 Tel +34 934 742 423 - Fax +34 934 743 548  
 export@nofer.com - www.nofer.com