

**Set with hand dryer, soap dispenser and faucet**


- Countertop set with hand dryer, soap dispenser and faucet with electronic sensor.
- Anodized aluminum set, silver finished. Also available in titanium finish (NOFER 01901.T), black finish (NOFER 01901.BK) and gold finish (NOFER 01901.GD).
- Robust, anti-vandalism and safe to be built without sharp edges or other dangerous elements.
- Durability and resistance to corrosion.
- Suitable for collectives and places of high frequency of use.
- In accordance with European safety directives (EC).

**TECHNICAL DATA**

- Housing made of a single piece of anodized aluminum silver finish 1,2 mm thickness.
- Electronic infrared sensor for the hand dryer/ soap dish/faucet when the hands are removed from the detection field.
- Dryer speed motor: 32000 r.p.m.
- Motor power: 1200 W.
- Voltage/Frequency: 220-240 V - 50/60 Hz.
- Electrical insulation: Class II.
- Consumption: 5,3 A.
- Sound level at 2 meters: 65 dBA.
- Protection index: IP52.
- Overall dimensions: 292 height x 230 width x 264 depth (mm).
- Faucet dimensions: 225 height x 230 width x 251,5 depth (mm).
- Hand dryers dimensions: 180 height x 322 width x 180 depth (mm).
- Soap dish dimensions: 120 height x 322 width x 120 depth (mm).
- Faucet weight: 2,3 kg.
- Hand dryer weight: 3,1 kg.
- Soap dish weight: 0,9 kg.
- Plastic soap dish inside.
- Capacity: 2 liters.
- Soap dose: 1-4 cc (electronic regulation).
- Water consumption: 3,7 l/m (3 bar).
- Function: place your hands under the appliance. There are three separated areas: the faucet at the front, the soap dispenser at the right side and the hand dryer outlets at left and right sides. The faucet, soap dispenser and hand dryer will start automatically in each area and it continues working while the hands are within the active range. The device switches off after a few seconds of removal.
- Maintenance: we recommend cleaning with a cotton cloth slightly moistened with a soap solution. Then rinse and dry it.
- Estimated drying time: 14-15 seconds.

**SUGGESTED TEXT FOR PRESCRIPTION**

NOFER countertop set with hand dryer, soap dispenser and tap, made of anodized aluminum, silver finish. Total power 1200 W. Motor speed 32000 r.p.m. Faucet, soap dispenser and hand dryer with electronic sensor. Dimensions: 292 height x 230 width x 264 depth (mm).



NOFER S.L.  
Avenida de la fama, 118  
08940 · Cornellà de Llobregat (Barcelona)  
Tel +34 934 742 423 · Fax +34 934 743 548  
nofer@nofer.com · www.nofer.com

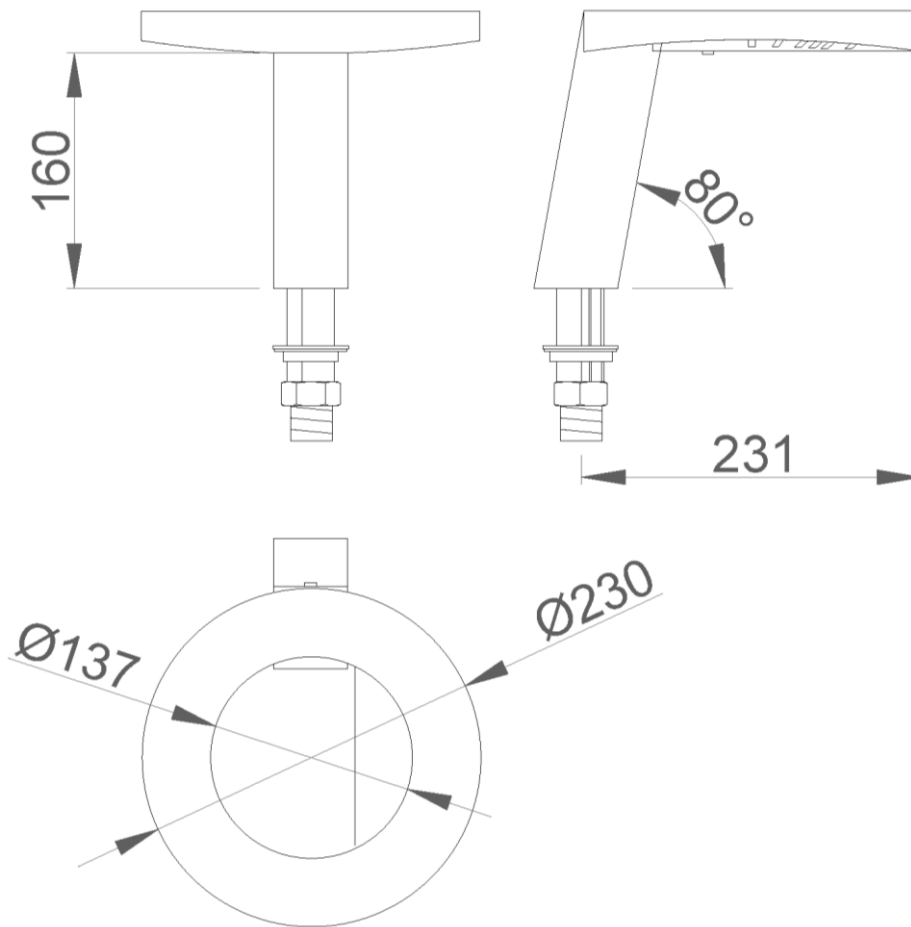
**Related Products**

**01901.T**

**01901.BK**

**01901.GD**

TECHNICAL DRAWING



DIMENSIONS IN mm