

Electronic ultrafast steel hand dryer

- Automatic hand dryer with electronic sensor
- Polish finished stainless steel casin.
- Sturdy, vandal proof and secure: not edges at all for ensure a safety use.
- Suitable for colectivities and high traffic places.
- Ultrafast drying: 0 – 12 seconds.
- Conform the european directives (CE).


TECHNICAL DATA

- Casing made of one piece white epoxy finished steel (e =1,2 mm)
- Wall fixation with 4 drills (drill bit Ø 8 mm). Fixing materials included.
- Electronic infrared sensor that stops the hand dryer when the hands leave the active range.
- Air temperature (environnement 21° C): 40° C.
- Brushless universal motor (without maintenance).
- Motor speed: 35000 r.p.m.
- Air flow 2660 l/min (160 m³/h). Air speed: 305 Km/h.
- Total power 800 W.
- Motor power: 800 W.
- Voltage/Frequence: 220-240 V - 50/60 Hz.
- Electric insulation: Class I.
- Adjustable sensor: 1-35 cm .
- Consumption: 3,5 A.
- Noise level (at 2 meters): 72 dBA.
- Protection rating against water projections: IPX1.
- Dimensions: 324 high x 253 width x 156 depth mm.
- Net weight: 4,9 kg.
- Function: place your hands under the appliance. The dryer will start automatically and it continues working while the hands are within the active range. The device switches off after a few seconds of removal.
- Cleaning: we recommend cleaning with a cotton cloth slightly moistened with a soap solution. Then dry it.

SUGGESTED TEXT FOR PRESCRIPTION

NOFER "FUGA" hand dryer or similar, with white epoxy finished steel casing (e=1,2 mm). Total power 800 W. Motor speed 35000 r.p.m. Dimensions: 324 high x 253 width x 156 depth mm.



NOFER S.L.
 Avenida de la fama, 118
 08940 · Cornellà de Llobregat (Barcelona)
 Tel +34 934 742 423 · Fax +34 934 743 548
 export@nofer.com · www.nofer.com

 Related
 Products


01851.B

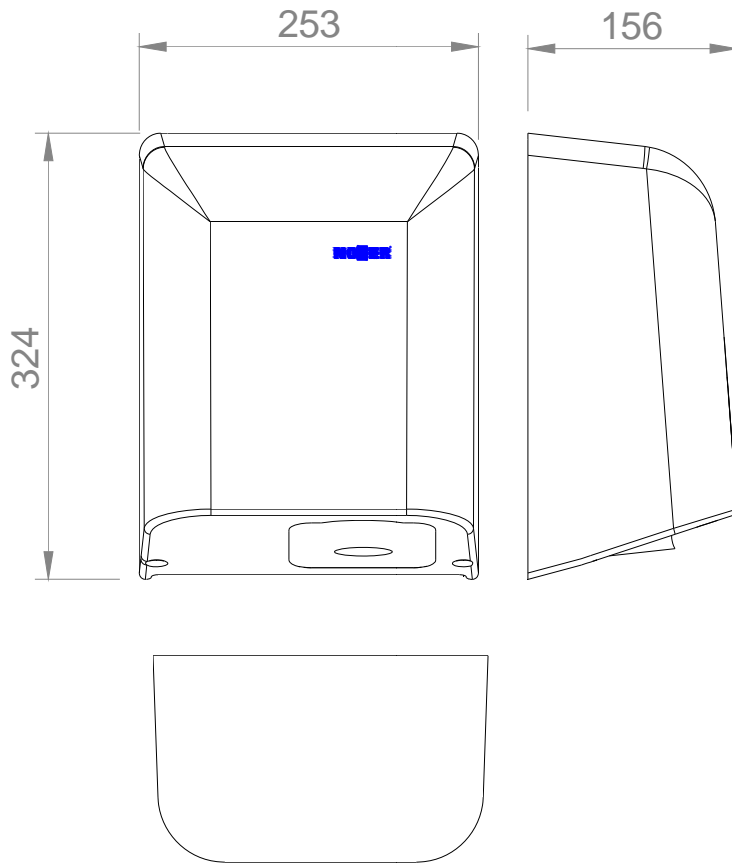


01851.S



01861.W

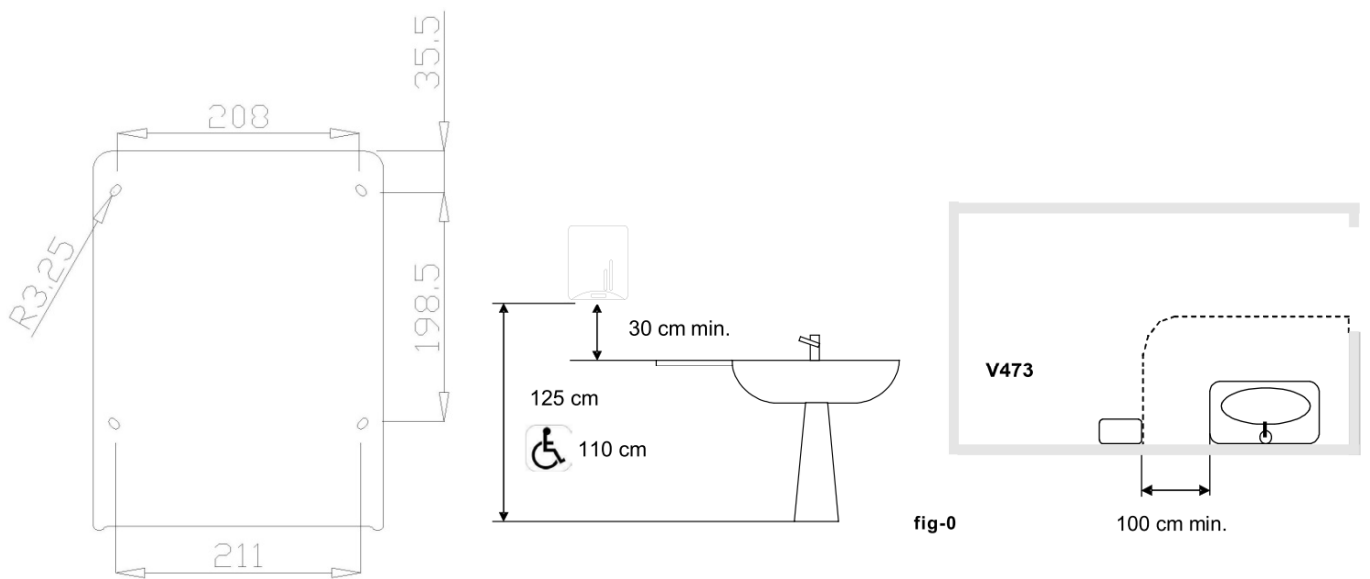
TECHNICAL DRAWING



Dimensions in mm.

INSTALLATION

In toilet areas with a high frequency use, the recommendation is to install one hand dryer for each toilet. In toilet areas with a lower frequency of use, the recommendation is to install one hand dryer for every two sinks or two dryers for every three washbasins. Installation should be as shown in fig-0. In case of installation on marble or shiny surfaces, it should be located 40 cm above the surface.



NOFER S.L.
 Avenida de la fama, 118
 08940 - Cornellà de Llobregat (Barcelona)
 Tel +34 934 742 423 - Fax +34 934 743 548
 export@nofer.com - www.nofer.com