

Automatic sensor hand dryer


- Hand dryer powered by electronic sensor.
- White finished steel cover.
- Sturdy and vandal proof.
- Not edges at all for ensure a safety use.
- Suitable for collectivities and designed for high traffic bathroom and continuous use.
- According to the LVD and EMC Directives and current European Standards.

TECHNICAL DATA

- Voltage/Frequency: 220-240 V ~ 50/60 Hz.
 - Maximum consumption 9 A.
 - Total power 2050 W.
 - Electrical resistance power: 1990 W.
 - Ni-Crom heating element wire. Ceramic support .
 - Motor power: 110 W.
 - Electrical isolation: Class II.
 - Protection index: IPX1.
 - Universal motor without brushes (maintenance not needed).
 - Motor speed 2800 r.p.m.
 - Overheating resistance thermostat (automatic rearmament).
 - Thermal fuse double security adjusted to 100°C.
 - The appliance is delivered without plug and plug cord.
- White finished steel cover manufactured in one piece (thickness=1,2 mm).
 - Protection grid made in polycarbonate. Fire-resistant ABS V0 plastic evolute.
 - Wall fixation by 3 drills (Ø 8 mm). Fixing material included.
- Electronic Infrared sensor that stops the function when the hands leave the active range.
 - Sensor distance: from 10 to 50cm
 - Air temperature (room temperature de 20°C): 60°C.
 - Air flow 2300 l/min (138 m³/h) speed 65 Km/h.
 - Noise level (from 2 meters): 60 dbA.
- Total dimensions: 323 height x 253 width x 152 depth (mm).
 - Individual packaging dimensions: 360x300x190 mm.
 - Net weigh: 3,9 kg.
- Function: place your hands under the appliance. The dryer will start automatically and it continues working while the hands are within the active range. The device switches off after a few seconds of removal.
 - Cleaning: we recommend cleaning with a cotton cloth slightly moistened with a soap solution. Then dry it.

SUGGESTED TEXT FOR PRESCRIPTION

NOFER or similar, hand dryer with white finished steel cover (thickness=1,2 mm). Total power 2050 W. Motor speed 2800 r.p.m. Dimensions: 323 height x 253 width x 152 depth (mm).



NOFER S.L.
 Avenida de la fama, 118
 08940 · Cornellà de Llobregat (Barcelona)
 Tel +34 934 742 423 · Fax +34 934 743 548
 export@nofer.com · www.nofer.com

Related Products



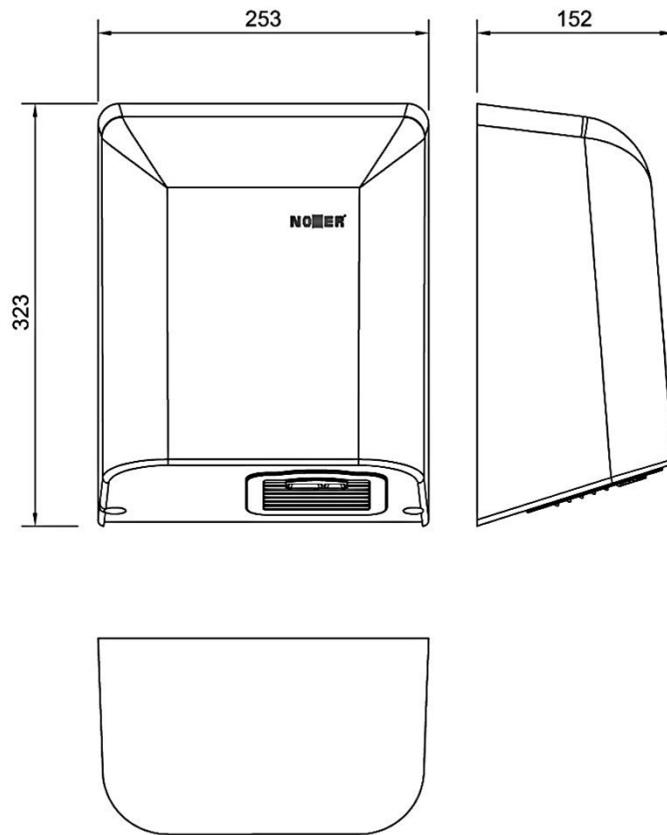
01451.S



01451.B



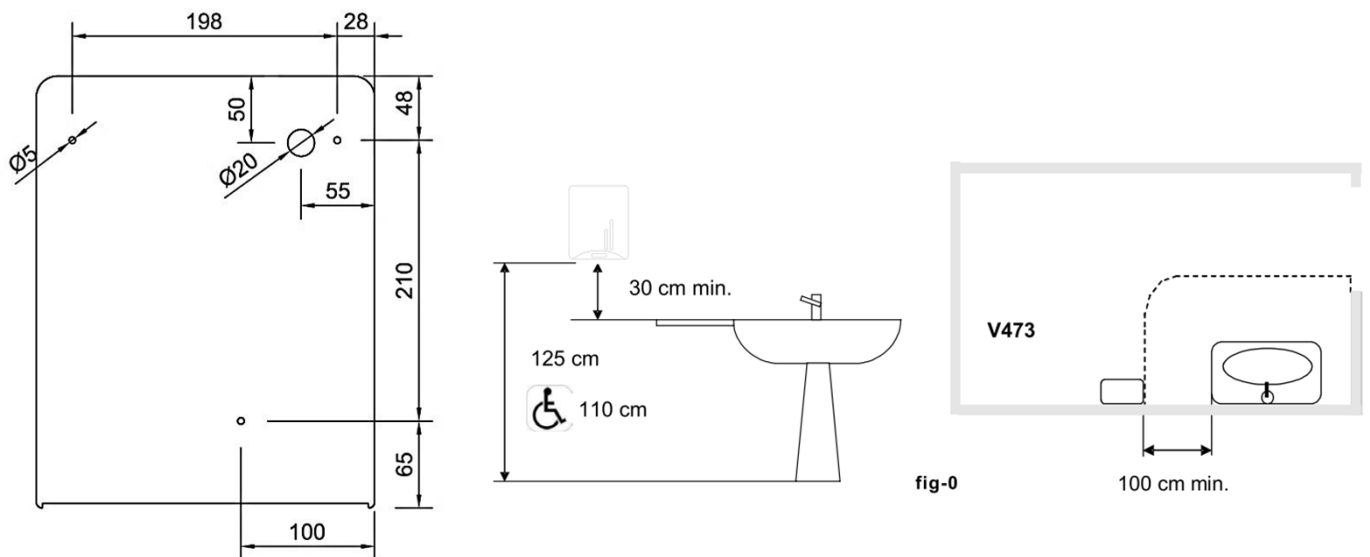
01461.W

TECHNICAL DRAWING


Dimensions in mm.

INSTALLATION

In toilet areas with a high frequency use, the recommendation is to install one hand dryer for each toilet. In toilet areas with a lower frequency of use, the recommendation is to install one hand dryer for every two sinks or two dryers for every three washbasins. Installation should be as shown in fig-0. In case of installation on marble or shiny surfaces, it should be located 40 cm above the surface.



NOFER S.L.
 Avenida de la fama, 118
 08940 - Cornellà de Llobregat (Barcelona)
 Tel +34 934 742 423 - Fax +34 934 743 548
 export@nofer.com - www.nofer.com