

"KAI" hand dryer with Stainless steel cover

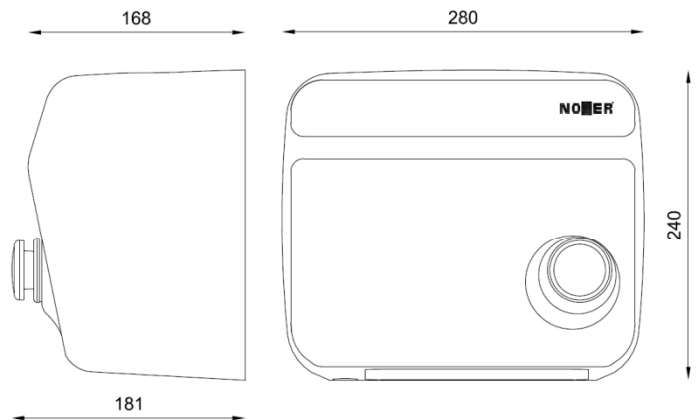

- Hand dryer activated by push button.
- Surface mounted.
- Suitable for collectivities.
- Stainless Steel satin finish. Also available in polish (NOFER 01250.B) and white (NOFER. 01250.W).
- Strong, vandal proof and build without edges.
- CE certificates.
- MADE IN SPAIN.

TECHNICAL DATA

- AISI 304 Stainless steel cover. 1 mm thick.
- Net voltage: 220 – 240 V / 50 – 60 Hz.
- Total electrical power: 1500 W.
- Induction engine: 2800 r.p.m. and 100 W.
- Isolation: Class II. IPX1 protection rate.
- Air speed: 22 Km/h. Air flow: 2300 l/min. Air temperature: 50 °C (environment 20°C).
- Dimensions: 240 high x 280 wide x 168 deep mm.
- Weight: 3,4 Kg.
- Sound level: 60 dBA.
- Approximate drying time: 40 seconds. Adjustable from 0 to 90 seconds.

SUGGESTED TEXT FOR PRESCRIPTION

"KAI" hot-air hand dryer NOFER or similar, with push button. Electrical power 1500 W, air temperature 50°C. AISI 304 stainless steel cover, satin finish. Dimensions: 240 high x 280 wide x 168 deep mm.

TECHNICAL DRAWING


Dimensions in mm



NOFER S.L.
 Avenida de la fama, 118
 08940 · Cornellà de Llobregat (Barcelona)
 Tel +34 934 742 423 · Fax +34 934 743 548
 export@nofer.com · www.nofer.com

Related Products



01101.S



01500.S



01600.S



01451.S



01251.W



01730.S