

**Automatic sensor hand dryer**


- Hand dryer powered by electronic sensor.
- White epoxy painted steel cover. Also available satin finished stainless steel cover (NOFER 01151.S) and polish finished stainless steel finished (NOFER 01151.B).
- Sturdy and vandal proof.
- Not edges at all for ensure a safety use.
- Suitable for collectivities and designed for high traffic bathroom and continuous use.
- According to the directives and current EC norms.

**TECHNICAL DATA**

- White epoxy painted carbon steel cover manufactured in one piece (thickness=1,2 mm).
- Nozzle made in chrome-finished Zamak (thickness= 22μ).
- Wall fixation by 4 drills (Ø 8 mm). Fixing material included.
- Electronic Infrared sensor that stops the function when the hands leave the active range or aftes about 120 seconds.

**ELECTRICAL SPECIFICATIONS**

- Sensor distance: 10 – 15 cm.
- Sensor can be adjusted: up to 30 cm.
- Universal motor with brushes (maintenance not needed).
- Motor speed 6500 r.p.m.
- Total power rating 2450 W.
- Electrical resistance power: 2200 W.
- Motor power: 250 W.
- Voltage/Frequency: 220-240 V - 50/60 Hz.
- Electrical isolation: Class I.
- Overheating resistance thermostat (automatic rearmament).
- Protection index: IPX1.
- Motor overheat thermostat: 105 °C.
- Resistor thermostat: 65°C/25 A.

- Sensor distance: 0-20cm (regulation not possible).
- Maximum consumption 10,6 A.

**MECHANICAL SPECIFICATIONS**

- Air flow 5500 l/min, speed 117 Km/h.
- Noise level (from 2 meters): 78 dB.
- Air temperature (room temperature de 21°C): 55°C.
- Fire resistant phenoplastic polymer turbine body.

**PACKAGING SPECIFICATIONS**

- Total dimensions: 280 high x 280 wide x 203 deep mm.
- Individual packaging dimensions: 295x295x245 mm.
- Net weight: 5,5 kg.
- Function: place your hands under the appliance. The dryer will start automatically and it continues working while the hands are within the active range. The device switches off after a few seconds of removal.
- Cleaning: we recommend cleaning with a cotton cloth slightly moistened with a soap solution. Then dry it.
- Wall fixation using 4 holes and Ø 8 mm drill. Wall fixing material included.

**SUGGESTED TEXT FOR PRESCRIPTION**

NOFER or similar, steel cover manufactured in one piece (thickness=1,2 mm). Total power rating 2450 W. Motor speed 6500 r.p.m. Dimensions: 280 high x 280 wide x 203 deep mm.

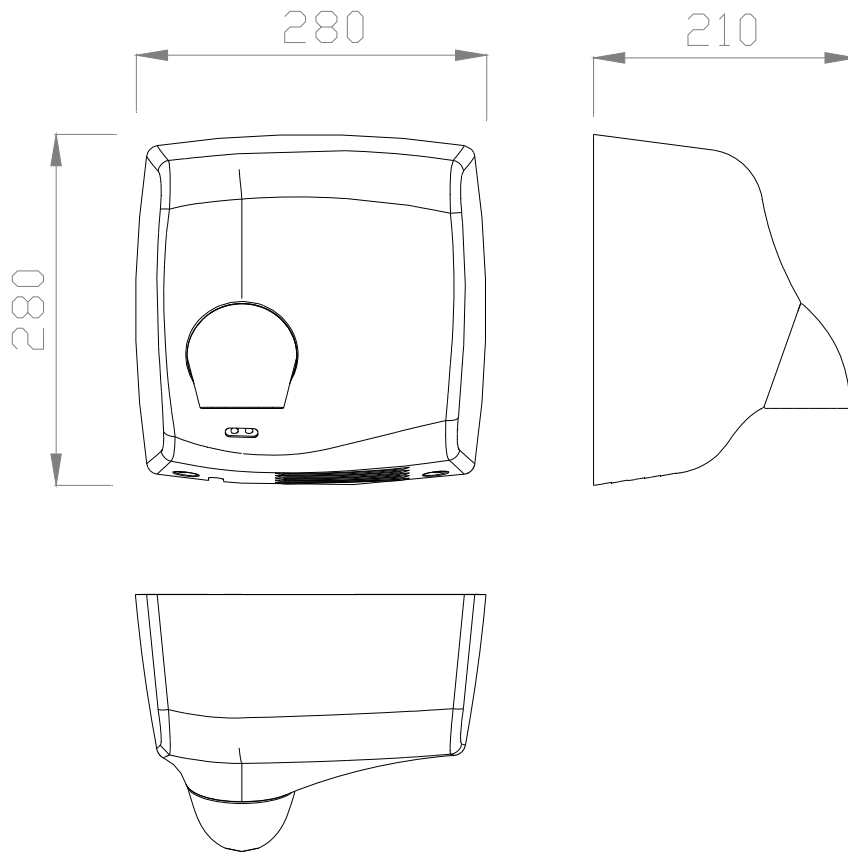


NOFER S.L.  
 Avenida de la fama, 118  
 08940 - Cornellà de Llobregat (Barcelona)  
 Tel +34 934 742 423 · Fax +34 934 743 548  
 export@nofer.com · www.nofer.com

Related Products


**01151.B**

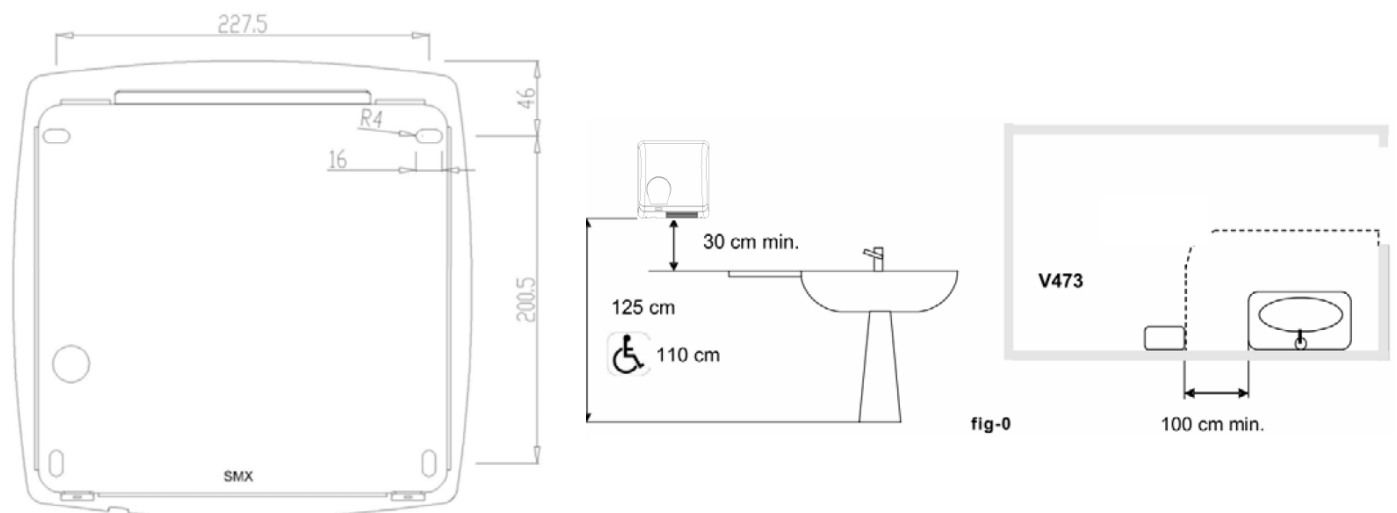
**01151.S**

**TECHNICAL DRAWING**


Dimensions in mm.

**INSTALLATION**

In toilet areas with a high frequency use, the recommendation is to install one hand dryer for each toilet. In toilet areas with a lower frequency of use, the recommendation is to install one hand dryer for every two sinks or two dryers for every three washbasins. Installation should be as shown in fig-0. In case of installation on marble or shiny surfaces, it should be located 40 cm above the surface.



NOFER S.L.  
 Avenida de la fama, 118  
 08940 - Cornellà de Llobregat (Barcelona)  
 Tel +34 934 742 423 - Fax +34 934 743 548  
 export@nofer.com - www.nofer.com