

Modular furniture with soap dispenser


- Laser sensor modular furniture of stainless steel structure with automatic soap dispenser.
- Designed to install behind the mirror.
- Soap dispenser operated by laser sensor.
- Indicated for uninterrupted use. Top quality components.
- Robust, anti-vandalism and safe because it is built without sharp edges or other dangerous elements.
- Reduce the consumption of soap.
- Use without contact, prevents the spread of germs.

TECHNICAL DATA

- AISI 304 stainless steel structure.
- Maximum dimensions: 470,2 height x 200 width x 223 depth (mm).
- Opening via laser sensor. Adjustable detection range from 5 to 23 cm.
- Time and distance regulation control (optional).
- Powered by electric current or batteries.
- Mains voltage: 220 V – 50/60 Hz / DC 6V, with USB rechargeable battery.
- Capacity: 3200 ml, optional 1500 ml. Refillable.
- Standard soap discharge: 0.8 cc.
- Soap viscosity 100-3800 cPs.
- Consumption in stand by: <2 mA.
- Approximate battery life: 50,000 cycles (4-6 months).

SUGGESTED TEXT FOR PRESCRIPTION

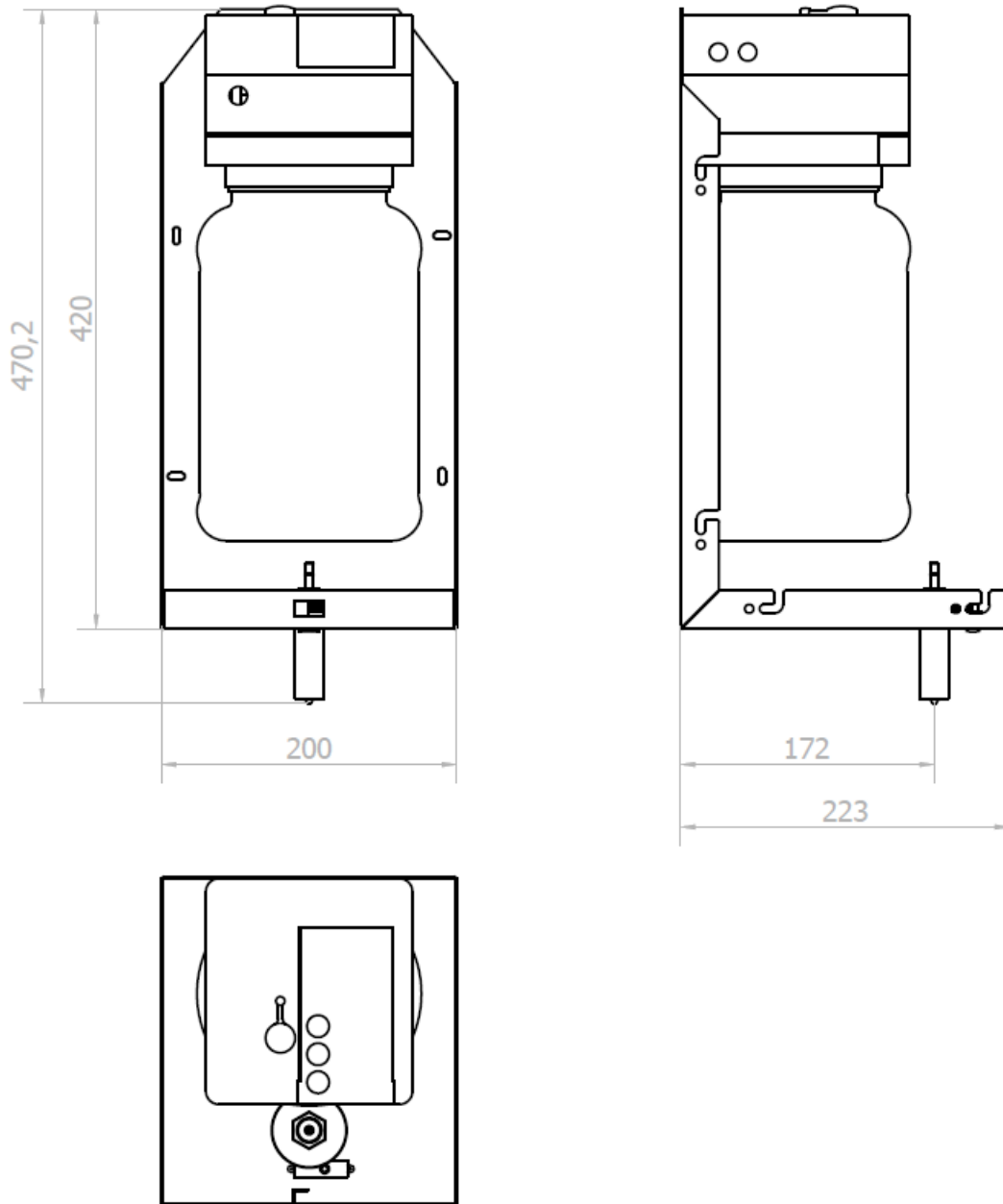
NOFER modular furniture, to be installed behind the mirror, with automatic soap dispenser laser sensor. AISI 304 stainless steel structure. Maximum dimensions: 470,2 height x 200 width x 223 depth (mm).



NOFER S.L.
 Ctra. Laureà Miró, 385-387
 08980 · Sant Feliu de Llobregat (Barcelona)
 Tel +34 934 742 423 · Fax +34 934 743 548
 nofer@nofer.com · www.nofer.com

Related Products


TECHNICAL DRAWING



DIMENSIONS IN mm



NOFER S.L.
 Ctra. Laureà Miró, 385-387
 08980 · Sant Feliu de Llobregat (Barcelona)
 Tel +34 934 742 423 · Fax +34 934 743 548
 nofer@nofer.com · www.nofer.com