

Modular furniture with Fusion handdryer


- Laser sensor modular furniture of stainless steel structure with handdryer Fusion model.
- Designed to install behind the mirror.
- With HEPA filter ZeroSmell ® technology.
- Configurable in two types of power: Turbo or Eco.
- Indicated for uninterrupted use. Top quality components.
- Robust, anti-vandalism and safe because it is built without sharp edges or other dangerous elements.
- Use without contact, prevents the spread of germs.

TECHNICAL DATA

- AISI 304 stainless steel structure.
- Maximum dimensions: 384 height x 200 width x 223 depth (mm).
- Laser sensor that stops the function when the hands leave the active range.
- Exit temperature of air to ambient temperature. It does not have electrical resistance.
- Long-life brush motors: 300000 cycles.
- Dryer speed motor: 30000 r.p.m.
- Multi-jet air outlet with acoustic damping system avoids noise caused by the air outlet.
- Blade air outlet is designed for quick and effective drying.
- Power in Turbo mode: 900 W. Eco mode: 700 W.
- Voltage/Frequency: 220-240 V - 50/60 Hz.
- Sensor range: 0-20 cm.
- Consumption in turbo mode: 4 A. Eco mode: 3,2 A.
- Sound level at 2 meters: 65 dBA.
- Protection index: IP22.
- Turbo-Blade estimated drying time: 6-8 seconds.
- Turbo-Multijet estimated drying time: 8-10 seconds.
- Eco-Blade estimated drying time: 8-10 seconds.
- Eco-Multijet estimated drying time: 10-12 seconds.

SUGGESTED TEXT FOR PRESCRIPTION

NOFER modular furniture, to be installed behind the mirror, with handdryer Fusion model, laser sensor. AISI 304 stainless steel structure. Maximum dimensions: 384 height x 200 width x 223 depth (mm).



NOFER S.L.
 Ctra. Laureà Miró, 385-387
 08980 · Sant Feliu de Llobregat (Barcelona)
 Tel +34 934 742 423 · Fax +34 934 743 548
 nofer@nofer.com · www.nofer.com

Related Products

12053.H2

12053.S1

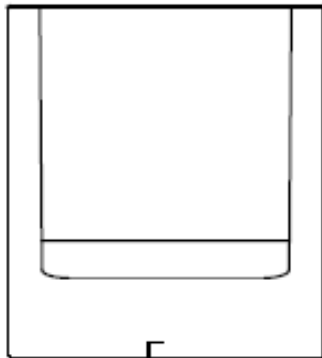
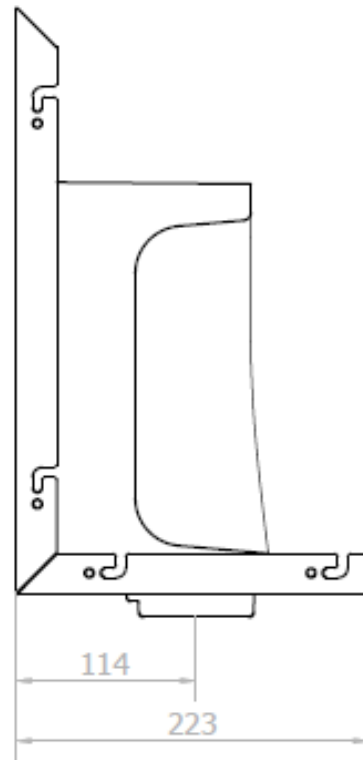
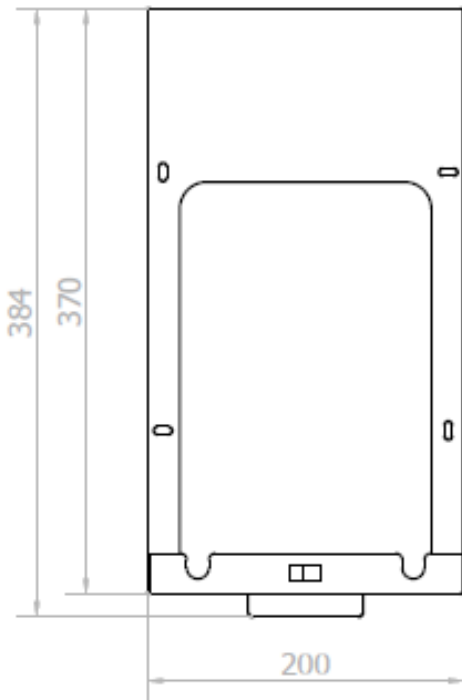
12053.S2

12053.M

12053.P

12053.PA

TECHNICAL DRAWING



DIMENSIONS IN mm



NOFER S.L.
 Ctra. Laureà Miró, 385-387
 08980 · Sant Feliu de Llobregat (Barcelona)
 Tel +34 934 742 423 · Fax +34 934 743 548
 nofer@nofer.com · www.nofer.com