

07400.ER TIMED TAP FOR WASHBASIN WITH TIME DELAY REGULATION, SOFT PUSH AND 'ECO' WATER FLOW

GENERAL DATA



- Cold/hot timed tap for washbasin with time delay regulation and soft push.
- Internal system allows the operation time regulation using an Allen key which acts directly over cartridge axis.
- Suitable for schools, kindergartens, playgrounds, homes for the elderly, etc.
- Optimum relationship between comfort of use and ecology.
- Model for installation in washbasin or countertop.
- Opening with soft push button.
- Interchangeable cartridge that includes the timed mechanism.
- Robust construction in chromed brass.
- Water flow at 3 bar: 3 l/min.
- Timed to 7±3 seconds.
- Elements of subjection included.

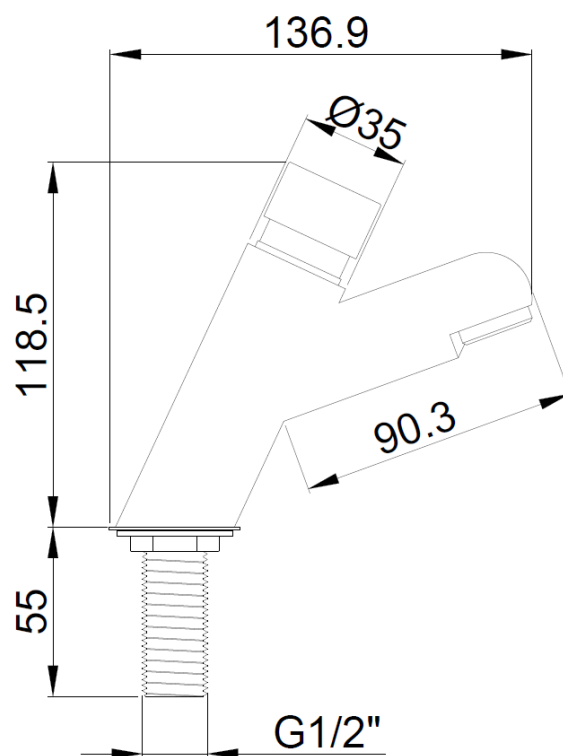
TECHNICAL DATA

- Material: CW617N brass chrome body.
- Cartridge material: CW617N chrome-plated brass push button + plastic components in POM.
- Chrome under standard EN248.
- Cartridge thread dimensions: M 28 x 1.5 mm.
- Soft push. Independently from water pressure network, the resistance to push operation should be equal or less than 1 kg/cm².
- Flow at 3 bar: 3 l/min.
- Operation time: 7±3 s according to the UNE-EN 8016.
- Possibility to regulate the operation time from 4 to 10 s. with a water pressure network of 3 bar.
- T^a maximum 85 °C.
- T^a maximum recommended 60 °C.
- Maximum pressure: 5 bar.
- Minimum pressure: 0.5 bar.
- Recommended pressure: 3 bar.
- Neoperl® exchangeable aerator M 24 x 1 mm with flow limiter.
- Plastic particle filter included.

SUGGESTED TEXT FOR PRESCRIPTION

Cold/hot timed water tap for washbasin NOFER 07400.ER with time delay regulation and soft push button for installation on countertop and 'ECO' water flow. It assembles a self-closing cartridge timed to 7±3 s with possibility to regulate the operation time from 4 to 10 s. at 3 bar. Made in chrome plated brass plus plastic components in POM. Independently from water pressure network, the resistance to push operation should be equal or less than 1 kg/cm². The body is also made of chromed cast brass. Fixed spout with replaceable Neoperl® M 24 x 1 mm aerator and flow limiter. Flow rate of 3 l/min with 3 bars of dynamic pressure. Includes filter and all accessories for installation. Dimensions: 118.5 mm height x 136.9 mm width. Manufactured by NOFER, S.L. – Avda. de la Fama, 118 - c.p: 08940 Cornellà de Llobregat - Barcelona. www.nofer.com.

TECHNICAL DRAWING



OPERATION TIME REGULATION

