

Counter top wash basin

- Stainless steel wash basin.
- Installation on counter top.
- Satin finished.
- Durability and resistance against rust and corrosion.
- Suitable for continuous use and public spaces.



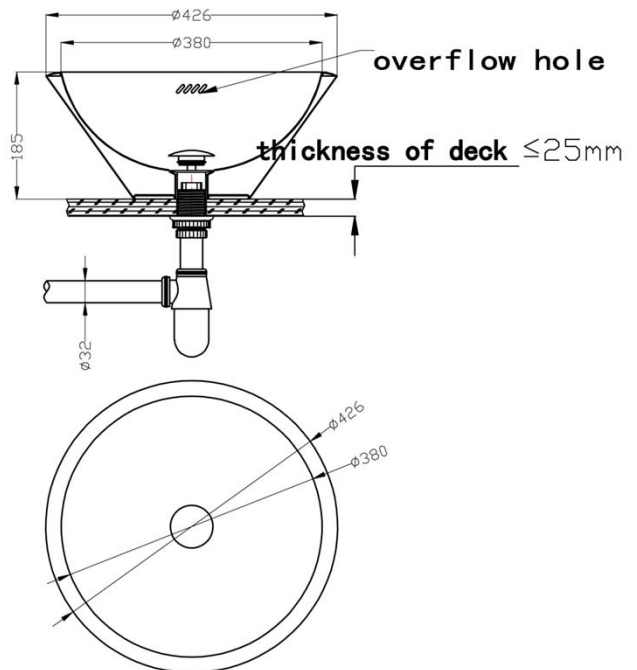
TECHNICAL DATA

- Made of satin finished AISI 304 stainless steel. (plate 1,2 mm thick).
- Dimensions: Dimensions: 185 high, Ø 426 (mm).
- Includes drainage valve with overflow.
- Maintenance: stainless steel needs maintenance because dust can eventually damage the Chrome (Cr) contained in stainless steel. We recommend monthly cleaning with an specific product for stainless steel.

SUGGESTED TEXT FOR PRESCRIPTION

NOFER or similar, satin finished AISI 304 stainless steel wash basin installed on counter top. Dimensions: 185 high, Ø 426 (mm).

TECHNICAL DRAWING



DIMENSIONS IN mm



NOFER S.L.
 Avenida de la fama, 118
 08940 · Cornellà de Llobregat (Barcelona)
 Tel +34 934 742 423 · Fax +34 934 743 548
 export@nofer.com · www.nofer.com