

Self closing tap

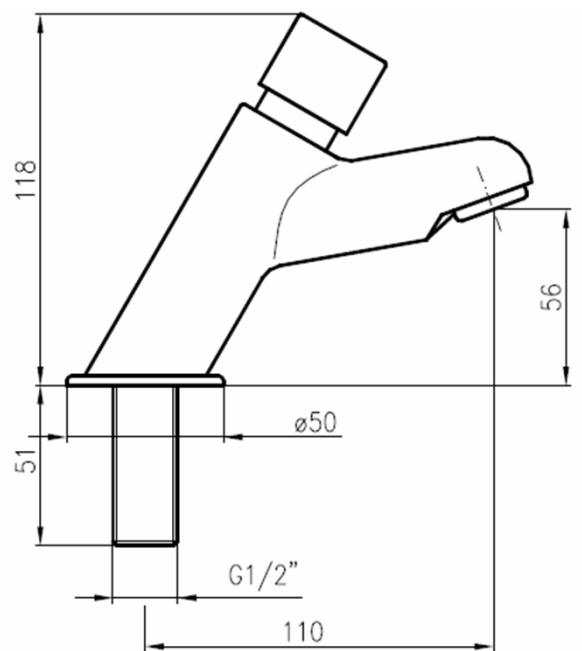
- Self closing tap for wash basin.
- Designed to install on counter top.
- Fixed spout.
- Durability and resistance against rust and corrosion.
- Suitable for public places and high use.
- Easy to clean.


TECHNICAL DATA

- Made of chromed brass.
- Dimensions: 118 high x 50 width (mm).
- Connection: G1/2" outer thread.
- Timer: 15 ± 5 seconds at 3 bar (not adjustable).
- Work pressure: min. 1 bar, max. 6 bar.
- Recommended pressure: 2-4 bar.
- Recommended temperature: 5 to 65 °C.
- Flow: 0,64 m³/h (1 bar).

SUGGESTED TEXT FOR PRESCRIPTION

NOFER self closing tap to install on counter top. Made of chromed brass. Fixed spout. Dimensions: 118 height x 50 width (mm).

TECHNICAL DRAWING


Dimensions in mm



NOFER S.L.
 Avenida de la fama, 118
 08940 · Cornellà de Llobregat (Barcelona)
 Tel +34 934 742 423 · Fax +34 934 743 548
 export@nofer.com · www.nofer.com

Related Products

